

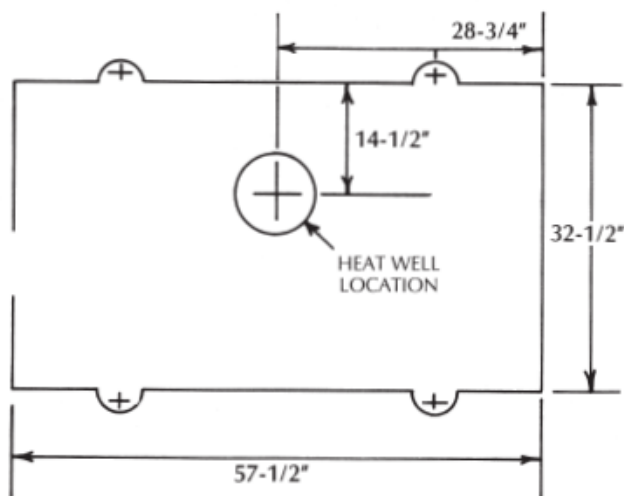


**Model
#3354-S**
Beef - Dairy
Waterer

#3354-S Specifications

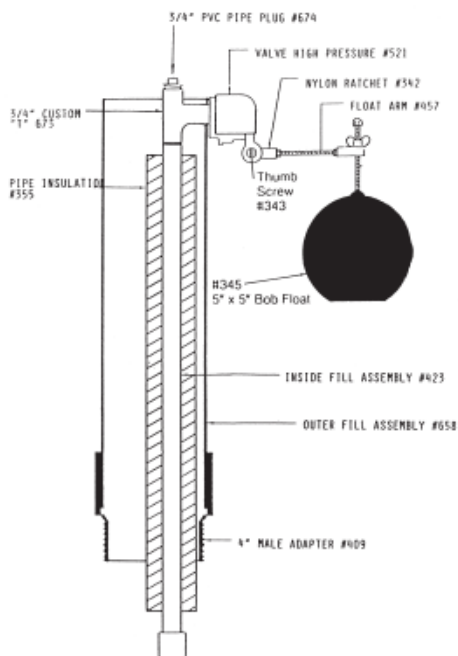
4 - 9 1/2" openings / Ball closures / Convertible

Capacity	Gallons	Dimensions	Weight
250 Hd. Beef	70	32 1/2" x 57 1/2" x 19" tall	152#
90 Hd. Dairy	(265 Liters)	(82 x 146 x 48 cm)	(69 Kg)



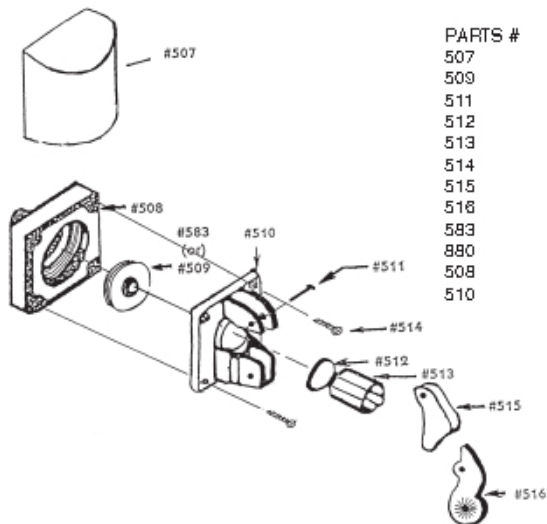
We recommend all anchor bolts be drilled in after the tank is set because dimensions may vary.

PARTS PRICE LIST FOR #3354-S



Part #	Description	Retail Cost
865	Top assembly complete	\$469.80
650	Center insert complete	258.40
775	Center insert w/o dome	167.30
652	End insert	103.10
875	Center dome	74.70
878	Center dome gasket	10.40
308	5/16" x 2" S.S. bolt	.70
881	Top gasket	37.90
643	10 3/4" drinker ball	28.60
556	Base assembly complete	513.40
347	5/16" x 3/4" S.S. washer	.10
409	4" male adapter	22.30
259	Outer fill pipe	11.80
708	5/16" x 2 1/2" S.S. lag bolt	1.00
653	#3354-S parts bag	188.30
322	2" rubber drain plug	5.80
344	3/8" x 3 3/4" S.S. anchor bolt	4.50
351	3/8" S.S. washer	.10
352	5/16" x 1" S.S. bolt	.50
353	Anchor clip	7.00
357	S.S. cotter key	.30
699	3/8" S.S. nut	.30
523	Training device	3.40
555	Bottom gasket	18.30
667	Anti siphon device	5.40
440	Valve assembly	34.00
521	Valve high pressure	18.90
673	3/4" custom "T"	11.10
674	3/4" pipe plug	2.30
458	Float assembly	31.30
342	Nylon ratchet	2.40
343	Brass thumb screw	1.80
345-5	5" x 5" bob float	11.20
457	Float arm	15.80
423	Inside fill assembly	27.50
355	Pipe insulation	9.70
337	3/4" female adapter	1.50
981	3/4" fill pipe	3.70

VALVE PARTS



PARTS #	DESCRIPTION
507	Cap
509	L.P. orifice 3/8"
511	Lock pin
512	Plunger seal
513	Plunger
514	Base screw
515	Upper arm
516	Lower arm
583	HP orifice 3/16"
880	Backup ring for orifice
508	Bottom Base
510	Top Base